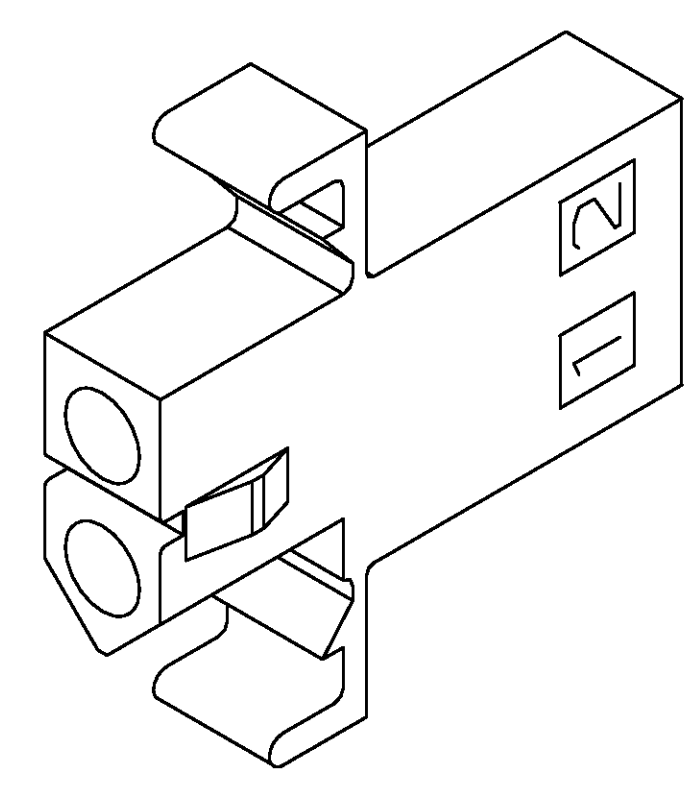
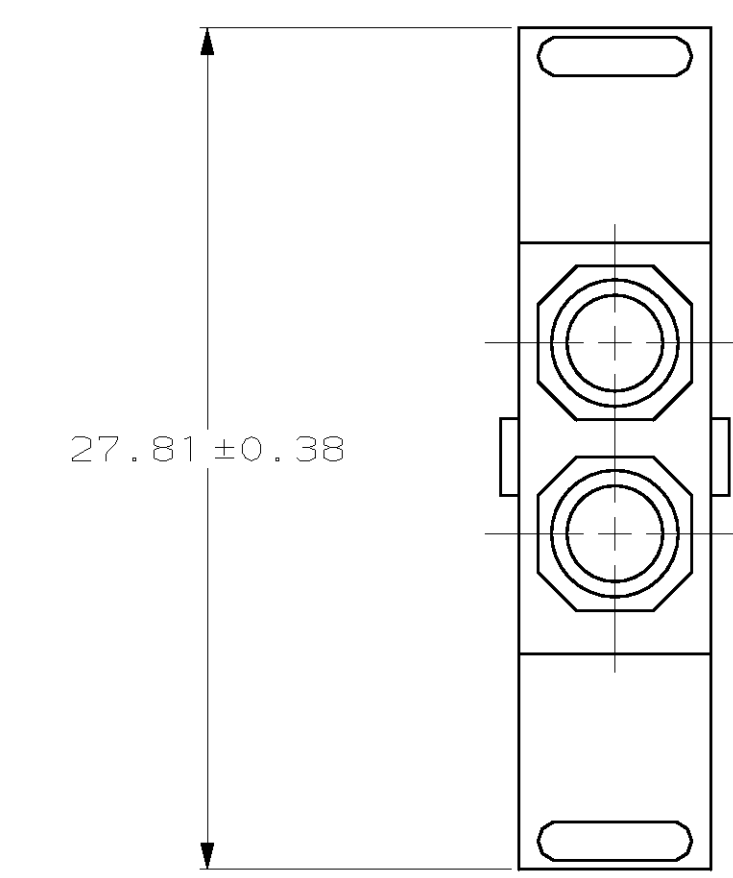
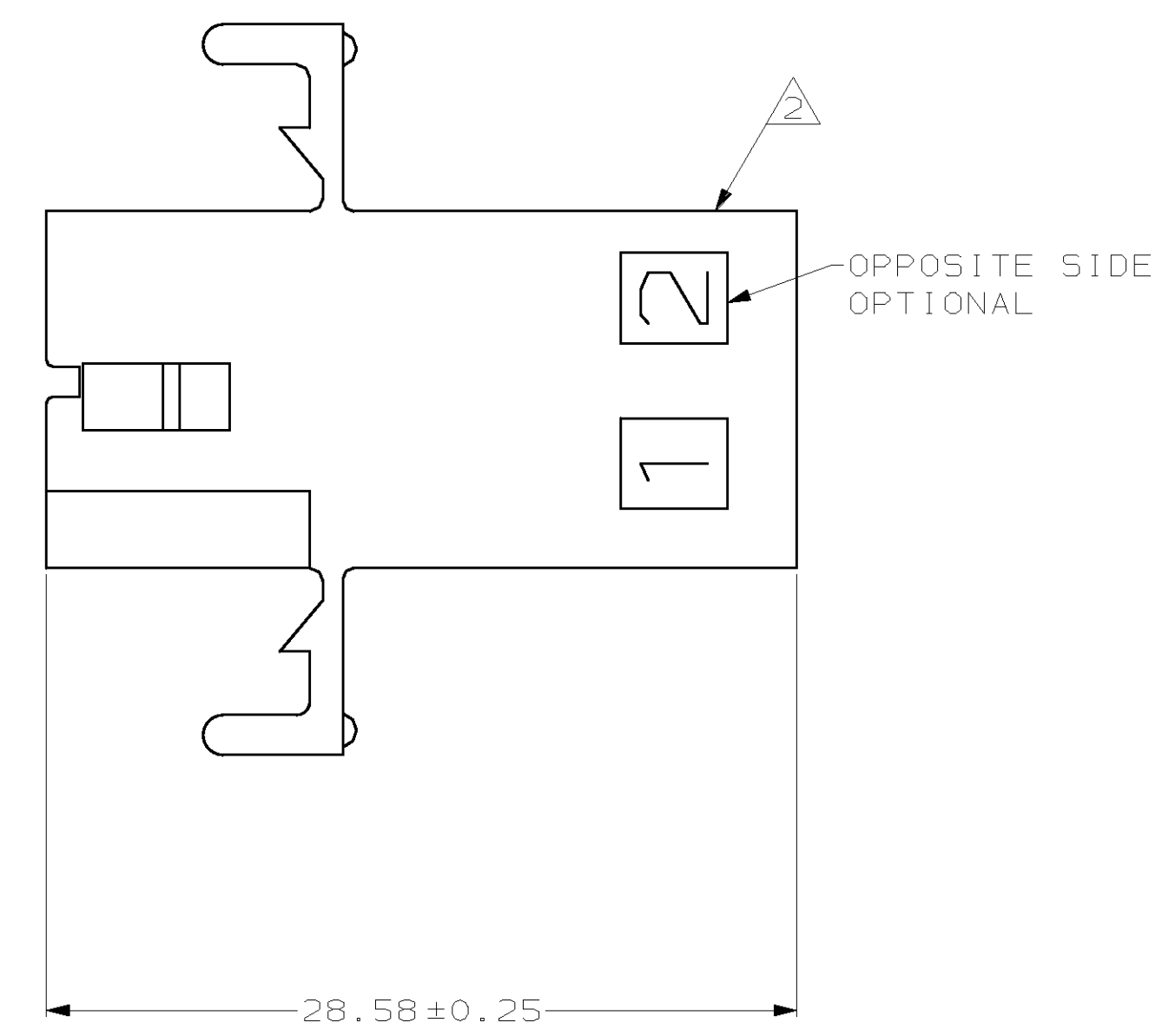
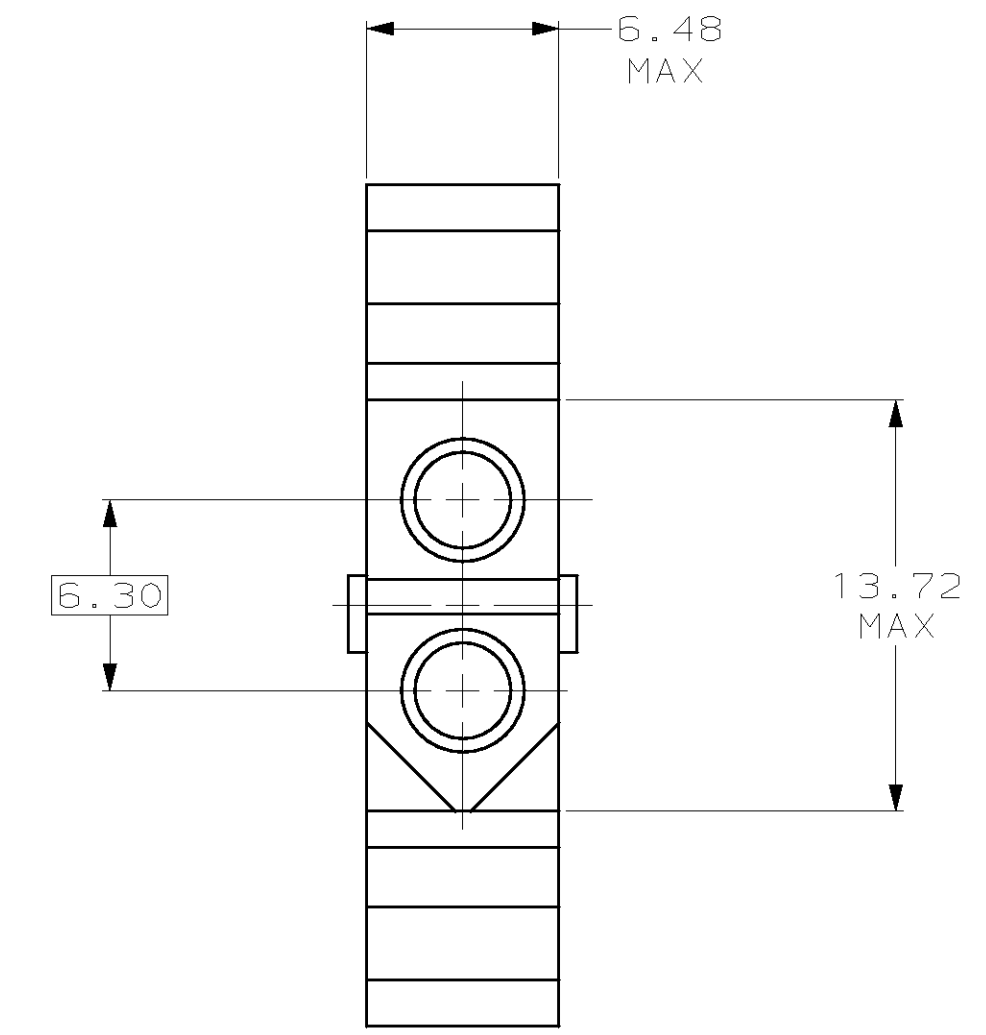


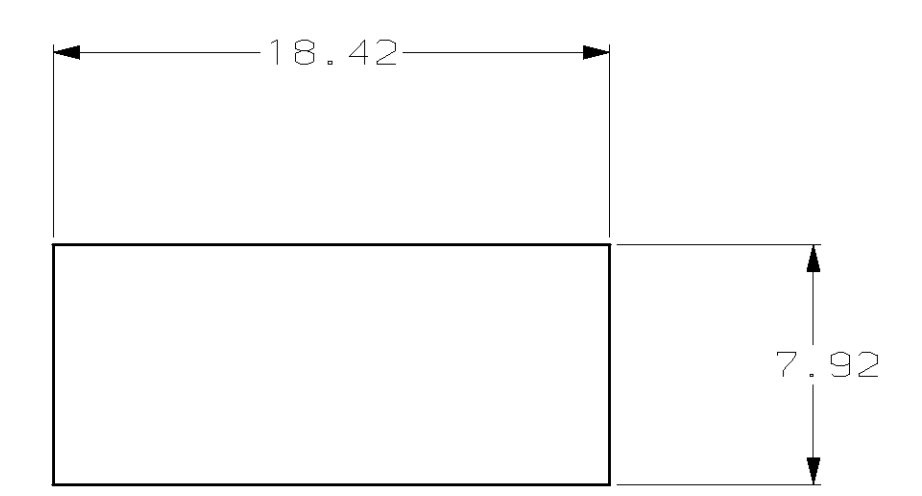
LOC	QTY	REV	DATE	BY	CHK	APPV
CM	53					

REVISIONS						
REV	DESCRIPTION	DATE	BY	CHK	APPV	REASON
K	REV & REDWN PER EC OL30-0287-97	2-11-98	KW			RS

- 1. RECOMMENDED PANEL THICKNESS 2.29 MAX.
- 2. MARKING FOR UL AND CSA LOGOS LOCATED ON THIS SURFACE.



3-DIMENSIONAL MODEL NTS



RECOMMENDED PANEL CUT OUT

MM	IN
28.58	1.125
27.81	1.095
18.42	.725
13.72	.540
7.92	.312
6.48	.255
6.30	.248
2.36	.093
2.29	.090
0.38	.015
0.25	.010
0.13	.005
MM	IN

CONVERSION TABLE

770066-1
PART NUMBER

METRIC

THIS DRAWING IS A CONTROLLED DOCUMENT.		DWN K. WHITAKER	2-11-98	AMP AMP Incorporated Harrisburg, PA 17105-3608
DIMENSIONS: mm		CHK R. SWING	2-11-98	
TOLERANCES UNLESS OTHERWISE SPECIFIED:		APVD K. CORLE	2-11-98	NAME RECEPTACLE, 2 CIRCUIT, .093 PIN AND SOCKET
0.13 ±		PRODUCT SPEC		SIZE A1
0.25 ±		APPLICATION SPEC		SCALE 4:1
0.38 ±		HEIGHT		SHEET 1 OF 1
0.76 ±				REV K
1.27 ±				
2.54 ±				
5.08 ±				
12.7 ±				
25.4 ±				
50.8 ±				
127 ±				
254 ±				
508 ±				
1270 ±				
2540 ±				
DRAWING NO A100779		DATE 2-11-98		RESTRICTED TO -
MATERIAL NYLON, JL 94V-2, NATURAL		FINISH -		CUSTOMER DRAWING